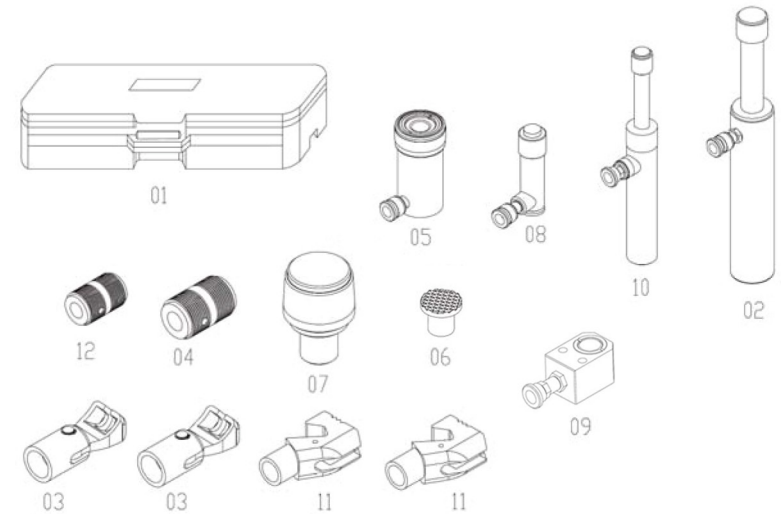
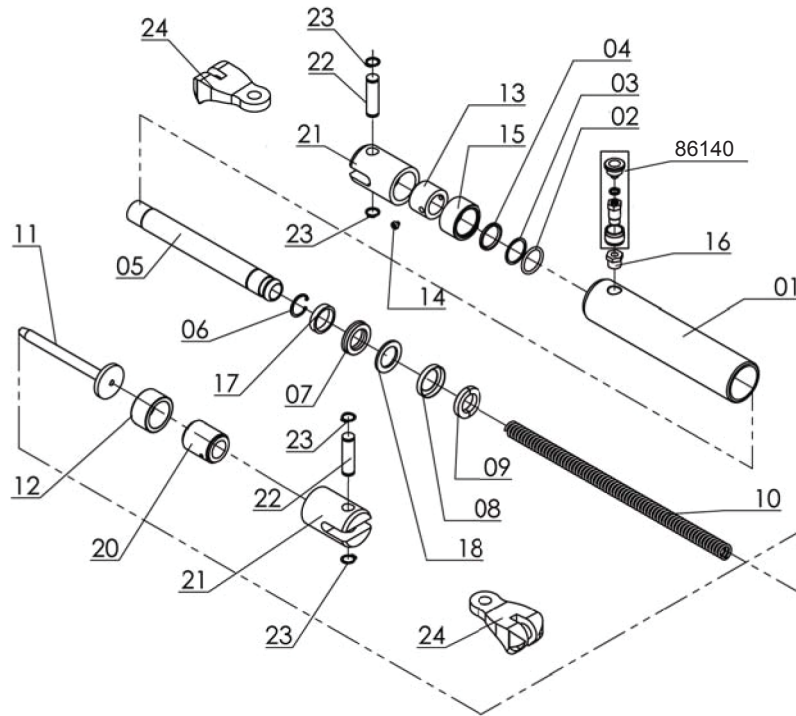


**Part #: 14890-02**  
**Model 686: 5 Ton Pull Ram**



**MODEL 14890**  
**Push & Pull Ram Set**



Part No.	Description	Q'TY	Part No.	Description	Q'TY
686-01	Cylinder	1	686-13	Nut	1
686-02	O-Ring	1	686-14	Screw	1
686-03	Backup Ring	1	686-15	Cap	1
686-04	Seal	1	686-16	Coupling	1
686-05	Ram	1	686-17	Washer	1
686-06	Snap Ring	1	686-18	Backup Ring	1
686-07	Seal	1	686-20	Male Connector	1
686-08	Bushing	1	686-21	Adapter	2
686-09	Bearing	1	686-22	Pin	2
686-10	Spring	1	686-23	C-Clip	4
686-11	Thimble	1	686-24	Claw	2
686-12	Nut	1	86140	Ram Coupler	1

Part No	Description	Q'TY
14890-01	PLASTIC BOX	1
14890-02	5 TON PULL RAM	1
14890-03	CHAIN HOOK	2
14890-04	MALE CONNECTOR 1 1/4"	1
14890-05	10 TON PUSH RAM	1
14890-06	END CAP	1
14890-07	MALE ADAPTER	1
14890-08	2 TON PUSH RAM	1
14890-09	4 TON PUSH RAM	1
14890-10	2 TON PULL RAM	1
14890-11	PULL RAM CONNECTOR	2
14890-12	MALE CONNECTOR 3/4"	1