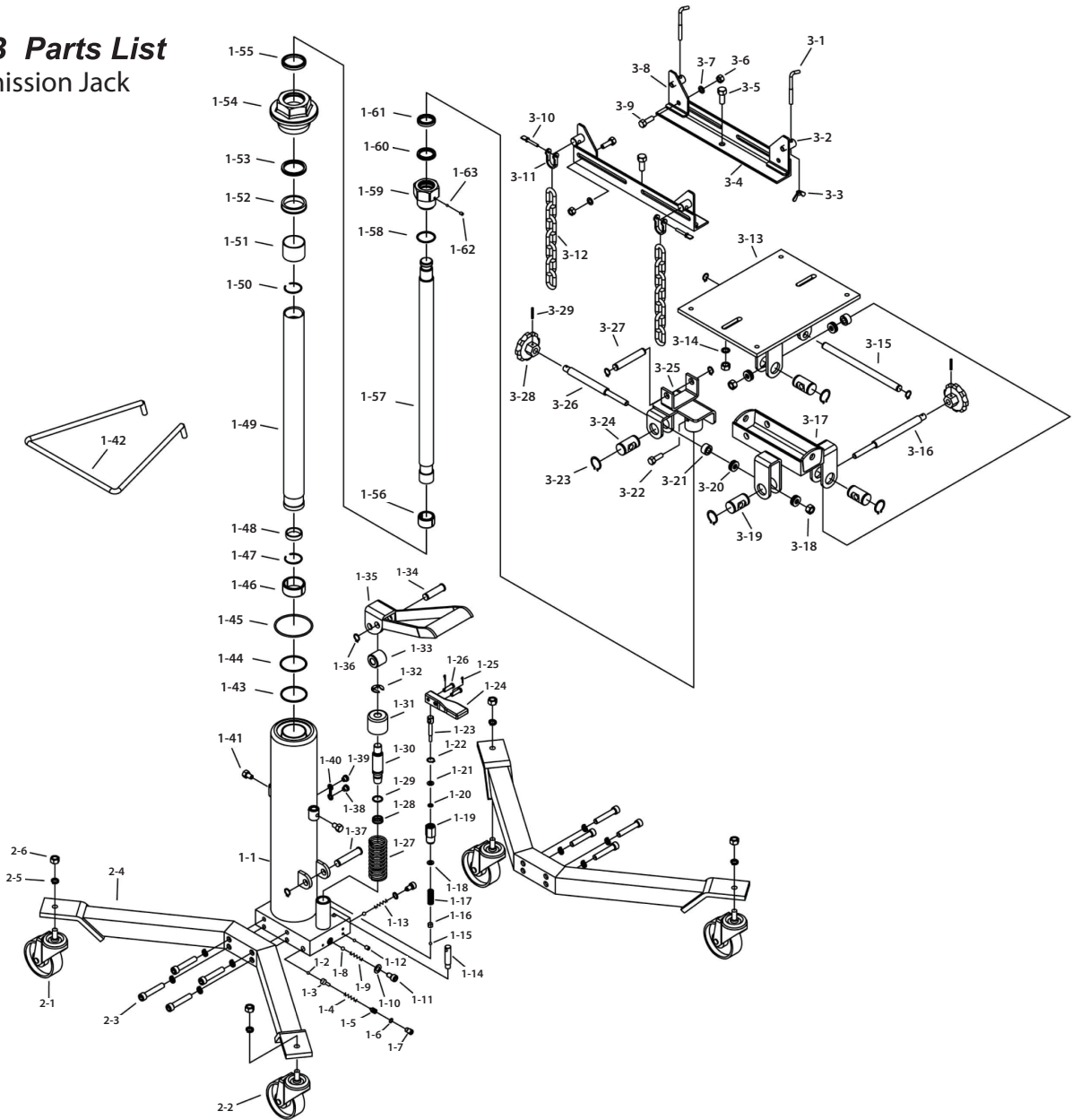


Model: 766B Parts List

1/2 Ton Transmission Jack



Part No.	Description	Q'ty	Part No.	Description	Q'ty	Part No.	Description	Q'ty	Part No.	Description	Q'ty
1-1	Oil Cylinder Ass'y	1	1-28	Y-seal	1	1-55	Dustproof	1	3-13	Universal Saddle	1
1-2	Steel Ball	1	1-29	O-ring	1	1-56	Bushing	1	3-14	Flat Washer	2
1-3	Ball Seat	1	1-30	Pump Plunger	1	1-57	Piston Rod	1	3-15	Shaft	1
1-4	Spring	1	1-31	Spring Cover	1	1-58	O-ring	1	3-16	Screw	1
1-5	Screw	1	1-32	Snap Ring	1	1-59	Screw Cap	1	3-17	Bracket	1
1-6	O-ring	1	1-33	Bushing	1	1-60	Y-seal	1	3-18	Locknut	2
1-7	Bolt	1	1-34	Pin	1	1-61	Dustproof	1	3-19	Shaft	2
1-8	Steel Ball	2	1-35	Foot Pedal	1	1-62	Steel Ball	1	3-20	Bearing	4
1-9	Spring	1	1-36	Snap Ring	6	1-63	Air Bleed Screw	1	3-21	Bushing	2
1-10	Copper Washer	2	1-37	Pin	1	2-1	Swivel Caster A	2	3-22	Bolt	1
1-11	Bolt	2	1-38	Screw	1	2-2	Swivel Caster B	2	3-23	Snap Ring	8
1-12	Screw	4	1-39	Screw	1	2-3	Bolt	8	3-24	Shaft	2
1-13	Spring	1	1-40	Sealing Gasket	1	2-4	Leg	2	3-25	Bracket	1
1-14	Rod	1	1-41	Bolt	2	2-5	Lock Washer	12	3-26	Screw	1
1-15	Steel Ball	5	1-42	Draw Bar	1	2-6	Nut	6	3-27	Shaft	1
1-16	Ball Seat	1	1-43	Nylon Washer	1	3-1	Hook	2	3-28	Knob	2
1-17	Spring	1	1-44	O-ring	1	3-2	Fixing Bracket A	2	3-29	Pin	2
1-18	Copper Washer	1	1-45	O-ring	1	3-3	Screw Cap	2	--	--	--
1-19	Oil Release Valve	1	1-46	Bushing	1	3-4	Corner Bracket	2	--	--	--
1-20	O-ring	1	1-47	Snap Ring	1	3-5	Bolt	2	--	--	--
1-21	Washer	1	1-48	Bushing	1	3-6	Nut	4	--	--	--
1-22	Snap Ring	1	1-49	Inner Cylinder	1	3-7	Flat Washer	4	--	--	--
1-23	Oil Release Rod	1	1-50	Snap Ring	1	3-8	Fixing Bracket B	2	--	--	--
1-24	Oil Release Pedal	1	1-51	Bushing	1	3-9	Bolt	4	--	--	--
1-25	Pin	2	1-52	Bushing	1	3-10	Screw	2	--	--	--
1-26	Pin	2	1-53	Y-seal	1	3-11	Link	2	--	--	--
1-27	Spring	1	1-54	Screw Cap	1	3-12	Safety Chain	2	--	--	--