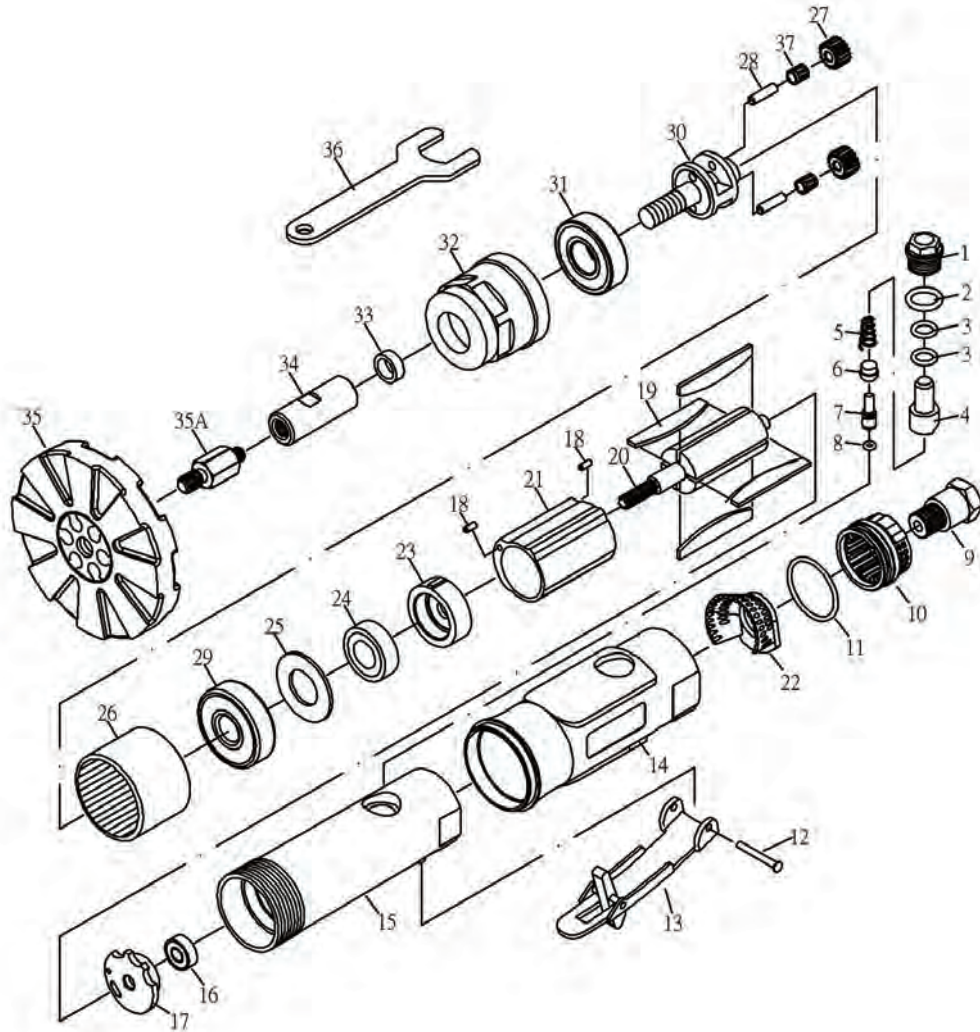


EXPLODED DIAGRAM AND PARTS LIST



PARTS	DESCRIPTION	QTY	PARTS	DESCRIPTION	QTY
01	SCREW	1	20	ROTOR (9T)	1
02	O-RING(P12)	1	21	CYLINDER	1
03	O-RING(P8)	2	22	CONE MUFFLER	1
04	AIR REGULATOR	1	23	FRONT PLATE	1
05	SPRING	1	24	BEARING(608ZZ)	1
06	VALVE STEM BUSHING	1	25	WASHER	1
07	VALVE STEM	1	26	THREAD RING GEAR(42T)	1
08	O-RING(3.5*1.4)	1	27	IDLER GEAR (16T)	2
09	AIR INLET	1	28	IDLER GEAR PIN	2
10	EXHAUST SLEEVE	1	29	BEARING (6001Z)	1
11	O-RING(26.7*1.78)	1	30	GEAR PLATE	1
12	SPRING PIN	1	31	BEARING(6200ZZ)	1
13	LEVER	1	32	CLAMP NUT	1
14	PROTECTING RUBBER	1	33	WASHER	1
15	HOUSING	1	34	SHAFY	1
16	BEARING	1	35	ERASER	1
17	REAR PLATE	1	35A	ADAPTER	1
18	PIN	2	36	STOP SPANNER(14M/M)	2
19	ROTOR BLADE	4	37	NEEDLE BEARING	2