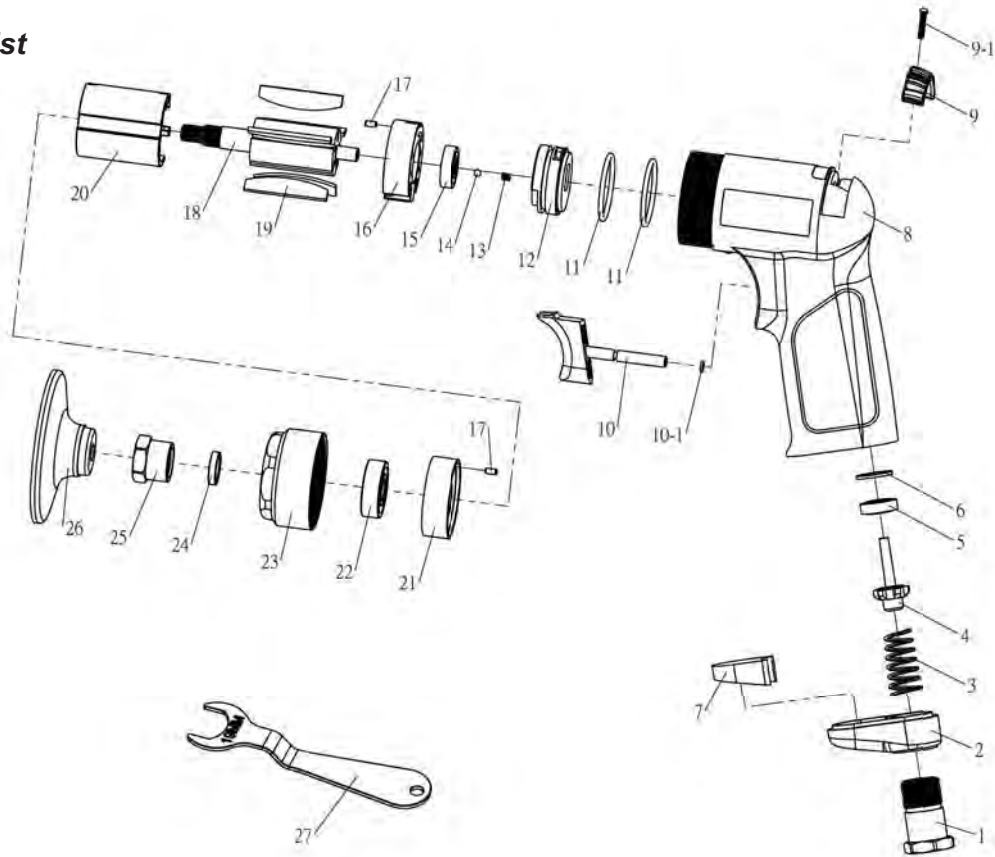


Parts List



Part No.	Description	QTY	Part No.	Description	QTY
1	INLET BUSHING	1	14	DETENT BALL	1
2	DEFLECTOR	1	15	BALL BEARING	1
3	VALVE SPRING	1	16	REAR PLATE	1
4	VALVE	1	17	SPRING PIN	2
5	VALVE SEAT	1	18	ROTOR	1
6	SPACER	1	19	ROTOR BLADE	5
7	SILENCER	1	20	CYLINDER	1
8	COMPOSITE HOUSING	1	21	FRONT PLATE	1
9	REVERSE VALVE LEVER	1	22	BALL BEARING	1
9-1	TAPING SCREW(φ2.3x12L)	1	23	FRONT HOUSING	1
10	TRIGGER	1	24	ANVIL BUSHING	1
10-1	O-RING(3x1)	1	25	SPINDLE NUT	1
11	O-RING(27x2)	2	26	3"PAD	1
12	VALVE BODY	1	27	WRENCH(19mm)	1
13	SPRING	1			