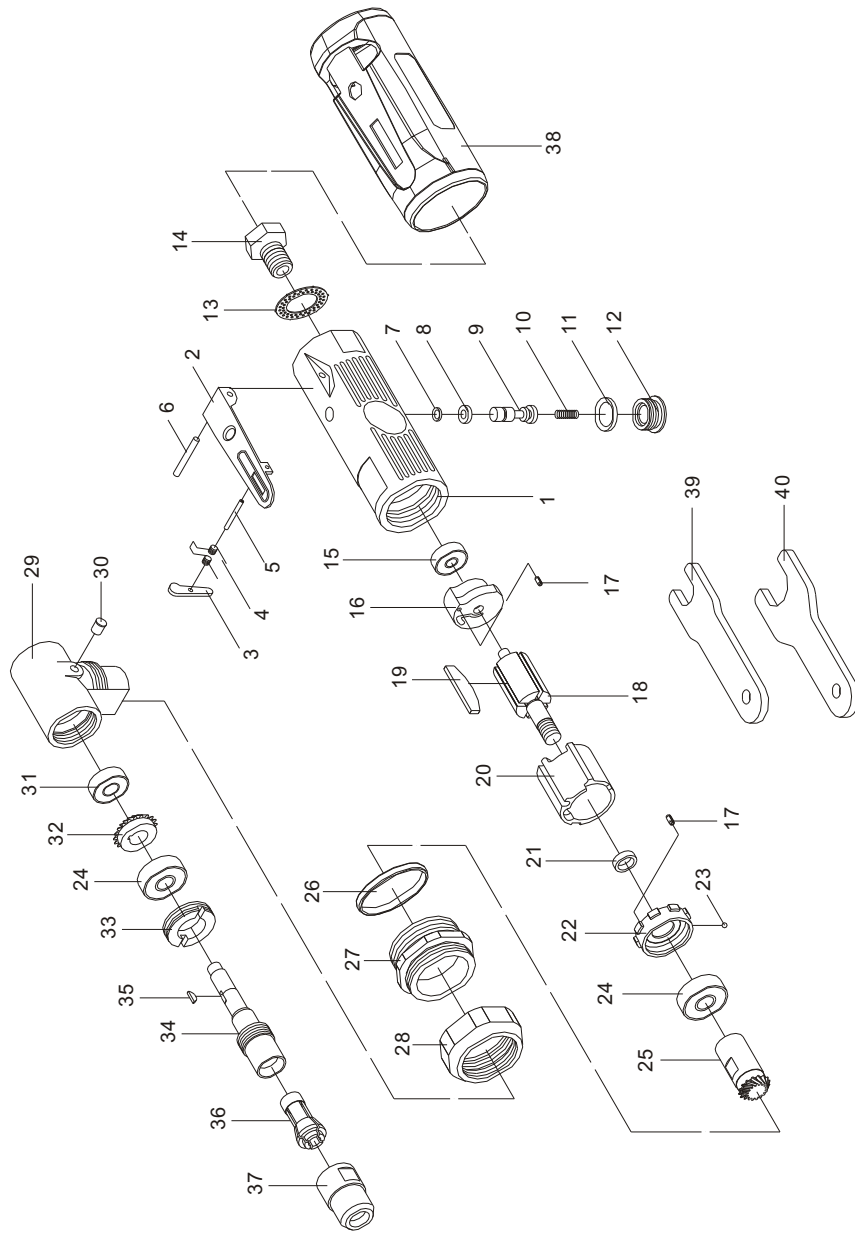


EXPLODED DIAGRAM AND PARTS LIST



Part No.	Description	Quantity
01	Main housing	1
02	Lever trigger	1
03	Lever block	1
04	Spring	1
05	Bolt	1
06	Bolt	1
07	O-ring	1
08	O-ring	1
09	Valve stem	1
10	Spring	1
11	O-ring	1
12	Screw nut	1
13	Muffler	1
14	Inlet nipple	1
15	Bearing	1
16	Rear plate	1
17	Bolt	2
18	Rotor	1
19	Rotor blade	4
20	Cylinder	1

Part No.	Description	Quantity
21	Bushing	1
22	Front plate	1
23	Steel ball	1
24	Bearing	2
25	Major gear	1
26	Decorating ring	1
27	Fixing ring	1
28	Nut	1
29	L-type connector	1
30	Lubricating valve	1
31	Bearing	1
32	Minor gear	1
33	Bushing	1
34	Rotating axle	1
35	Semi-round key	1
36	Collet	1
37	Collet fixing cap	1
38	Soft grip	1
39	Wrench(1)	1
40	Wrench (2)	1

- Contact the distributor or sales agent from whom you purchase the tool for spare parts ordering for any necessary replacement to get continuous use of tool and for extending the tool life.
- When ordering spare parts and components, give each part number and order quantity.

Thank you.