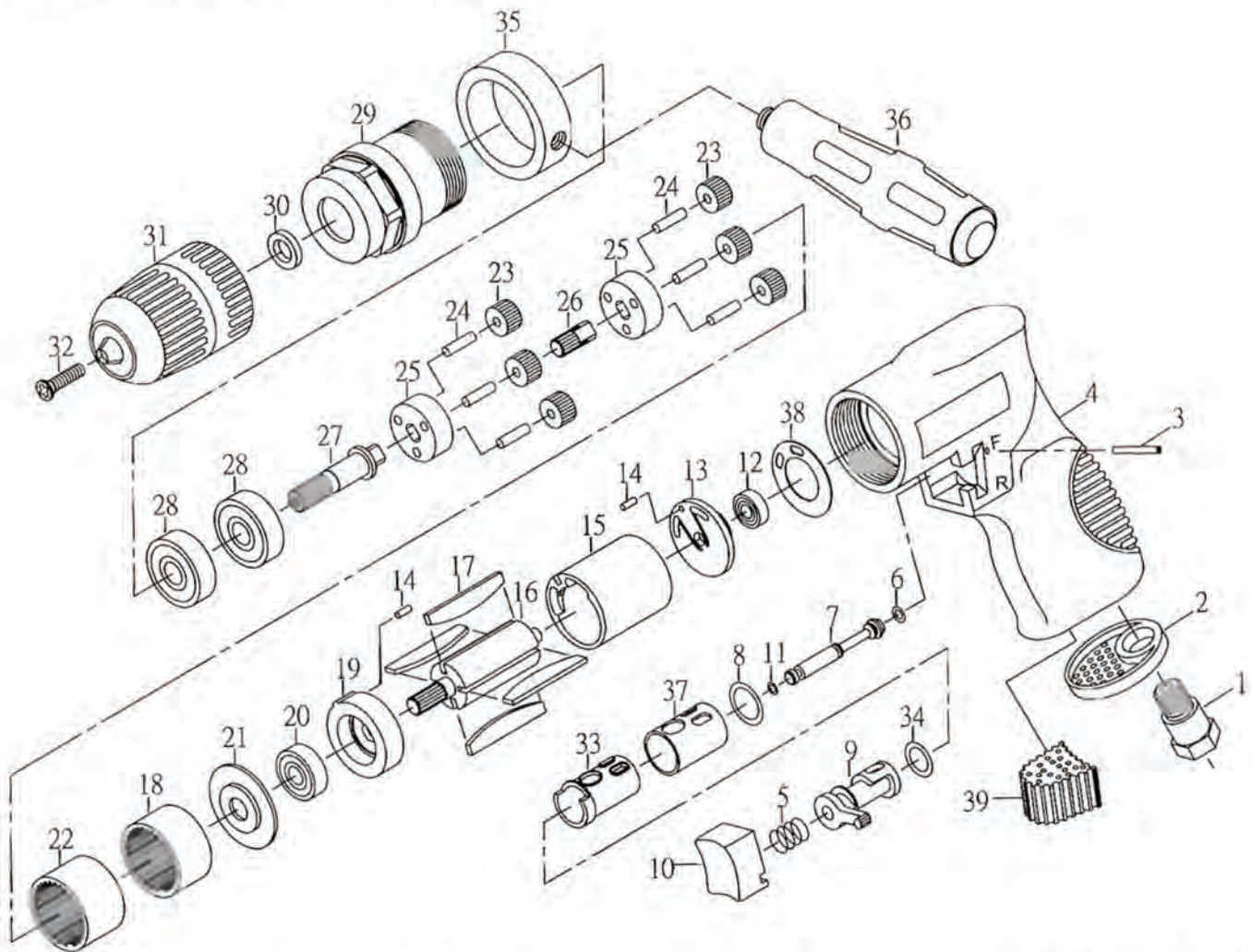


# 1/2" REVERSIBLE DRILL

PN30140



NO.	PART NO.	DESCRIPTION	QTY
01	20301	AIR INLET	1
02	20302	EXHAUST SLEEVE	1
03	20303	PIN	1
04	21304	HOUSING	1
05	20305	SPRING	1
06	20306	O-RING	1
07	20307	VALVE STEM	1
08	20308	O-RING	1
09	20309	REVERSE LEVER	1
10	20310	TRIGGER	1
11	OB-04	O-RING(3.5*1.4)	1
12	20312	BEARING (696ZZ)	1
13	21313	REAR PLATE	1
14	70018	PIN	2
15	21315	CYLINDER	1
16	21416	ROTOR	1
17	21317	ROTOR BLADE	4
18	20422-2	GEAR LINK	1
19	21319	FRONT PLATE	1
20	70024	BEARING (608ZZ)	1

NO.	PART NO.	DESCRIPTION	QTY
21	20421	WASHER	1
22	20422-1	GEAR LINK	1
23	50313	GEAR	6
24	20324	PIN	6
25	20325	GEAR PLATE	2
26	20426	GEAR SHAFT	1
27	20326	SHAFT	1
28	24531	BEARING (6200ZZ)	2
29	20429	CLAMP NUT	1
30	20329	WASHER	1
31	21431	1/2" KEYLESS	1
32	20331.1	CHUCK SCREW	1
33	21332-1	BUSHING	1
34	20333	O-RING	1
35	20435-1	HANDLE LINK	1
36	20433	HANDLE	1
37	21332-2	RUBBER BUSHING	1
38	21638	PACKING	1
39	21304.2	MUFFLER	1

WE RESERVE THE RIGHT FOR ANY DESIGNING CHANGES TO THE PARTS AND WITHOUT ANY NOTICEMENT IN ADVANCE. ST-214 05 03