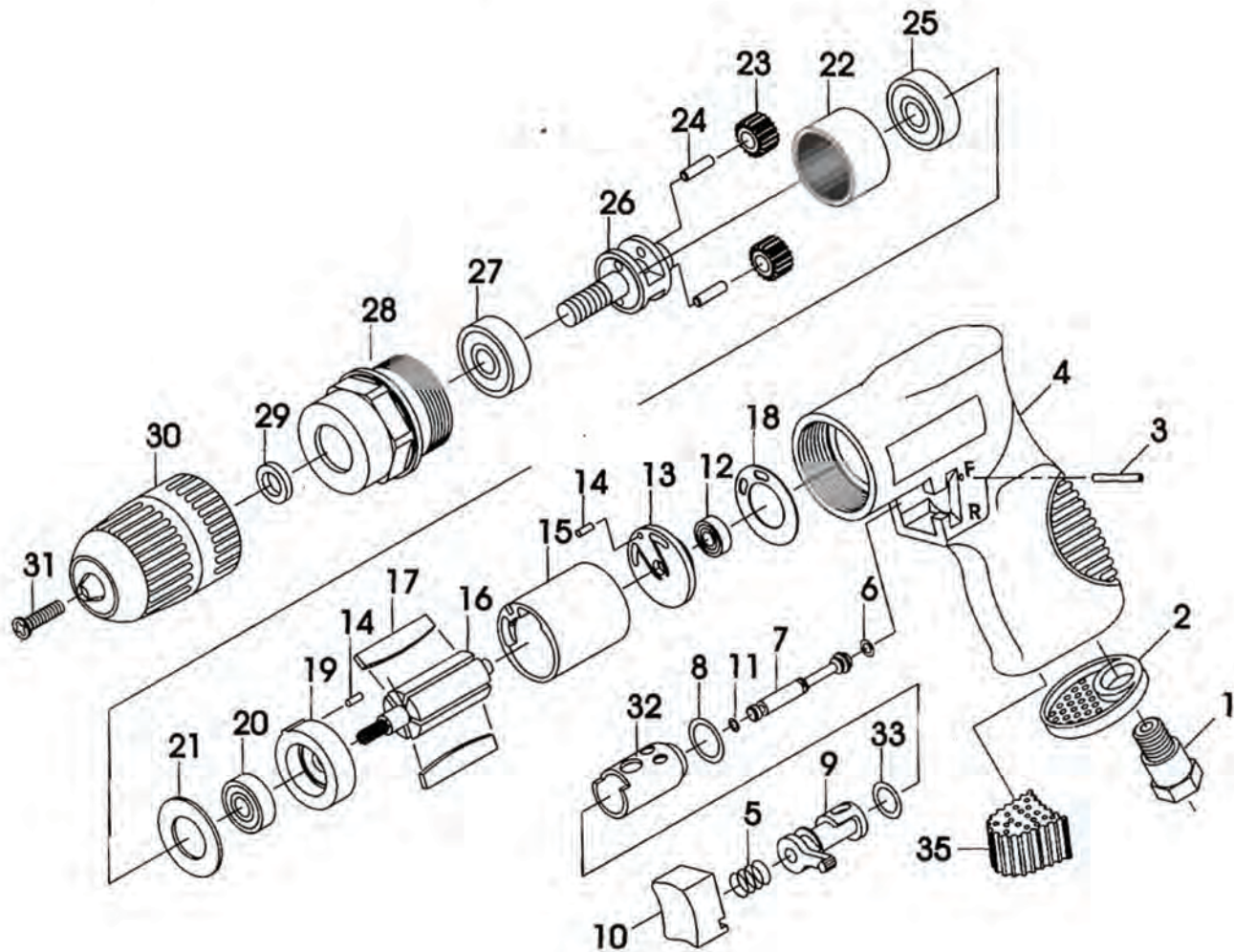


3/8" REVERSIBLE DRILL

PN30130



NO.	PARTS NO.	DESCRIPTION	QTY
01	20301	AIR INLET	1
02	20302	EXHAUST SLEEVE	1
03	20303	PIN(2.5X24)	1
04	ST21304ARK	HOUSING	1
05	20305	SPRING	1
06	20306	O-RING	1
07	20307	VALVE STEM	1
08	ST25103	O-RING	1
09	DL20309	REVERSE LEVER	1
10	20310	TRIGGER	1
11	OB-04	O-RING	1
12	20312	BEARING(696ZZ)	1
13	ST21313	REAR PLATE	1
14	70018	PIN(2.5X6)	2
15	ST21315	CYLINDER	1
16	21316	ROTOR	1
17	21317	ROTOR BLADE	5

NO.	PARTS NO.	DESCRIPTION	QTY
18	21638	PACKING	1
19	ST21319	FRONT PLATE	1
20	70024A	BEARING(608ZZ)	1
21	21321	WASHER	1
22	21322	GEAR LINK	1
23	24527	GEAR	2
24	70028	PIN	2
25	OB-31	BEARING(6001ZZ)	1
26	21326	GEAR PLATE	1
27	24531	BEARING(6200ZZ)	1
28	ST21328	CLAMP NUT	1
29	21329	WASHER	1
30	24534	3/8"KEYLESS	1
31	21331	CHUCK SCREW	1
32	21332-1A	BUSHING	1
33	50331	O-RING	1
35	21304.2	MUFFLER	1

WE RESERVE THE RIGHT FOR ANY DESIGNING CHANGES TO THE PARTS AND WITHOUT ANY NOTICEMENT IN ADVANCE.